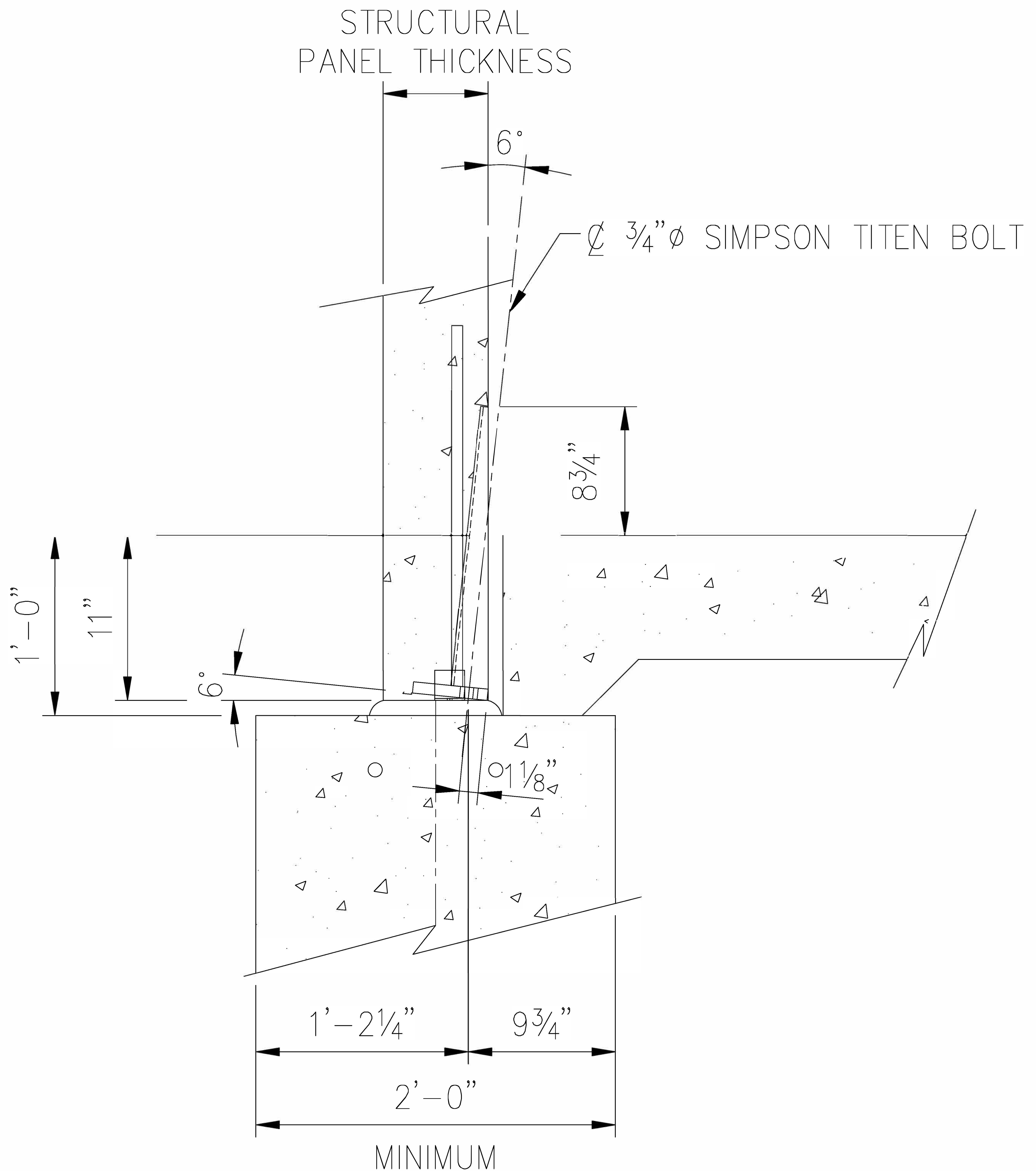


CONNECT-EZ™

“THE SAFE CONNECTION”



CONNECT-EZ™ "PA12"

PATENT PENDING
WWW.THECONNECT-EZ.NET

8/15/13