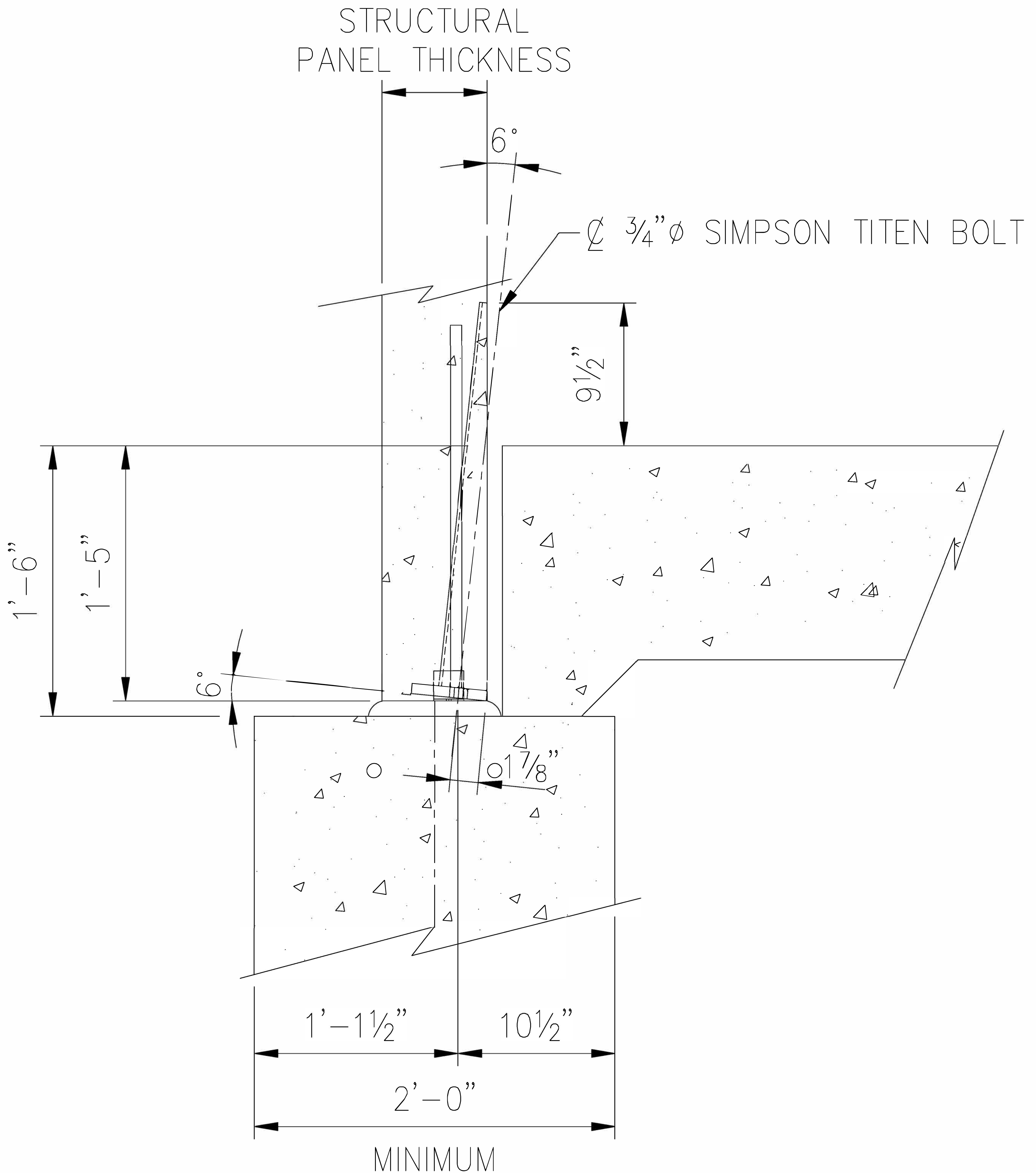


# CONNECT-EZ™

“THE SAFE CONNECTION”



**CONNECT-EZ™ "PA18"**

PATENT PENDING

[WWW.THECONNECT-EZ.NET](http://WWW.THECONNECT-EZ.NET)

8/15/13